

OUTDOOR KITCHEN PERGOLA

INSTALLATION INSTRUCTIONS

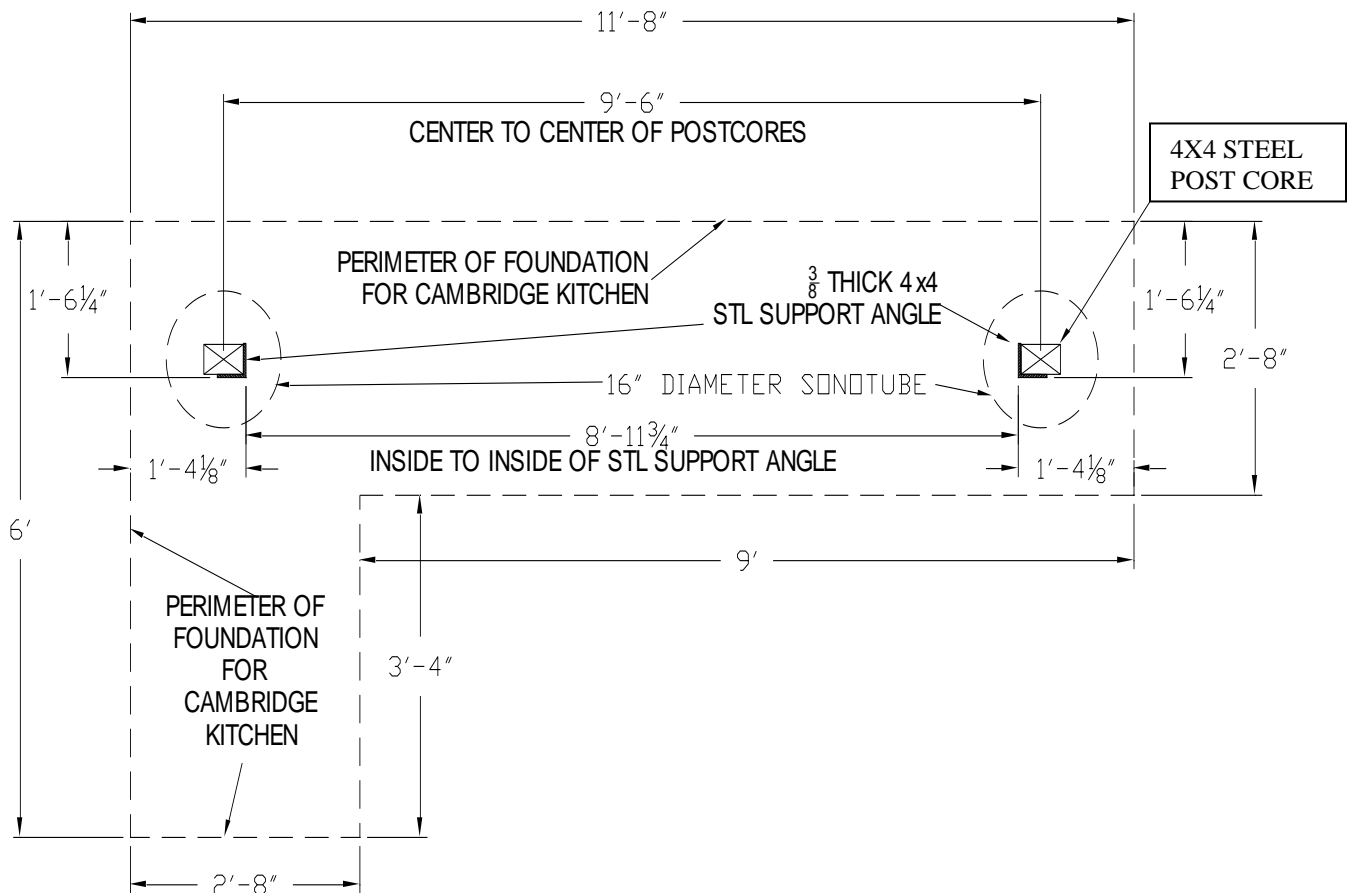


List of Materials

- 2 fiberglass beams (2x10)
- 8 fiberglass rafters (2x6)
- 6 fiberglass purlins (2x4)
- 2 round columns
- 2 Tuscan base and capital for each column
- Foam backer for the base trim of each column (for the space between column and trim)
- 2 4x4 fiberglass post cores (double 2x4)
- 4 decorative bolt covers
- 4 bolts (8 inches long) to attach the beam to the post cores (2 per side)
- 16 Ten inch timber screws with washers to attach rafters to the beam
- 22 6" screws to attach purlins to the rafters
- 6 bolts to attach the fiberglass post cores the angle irons (3 per side)

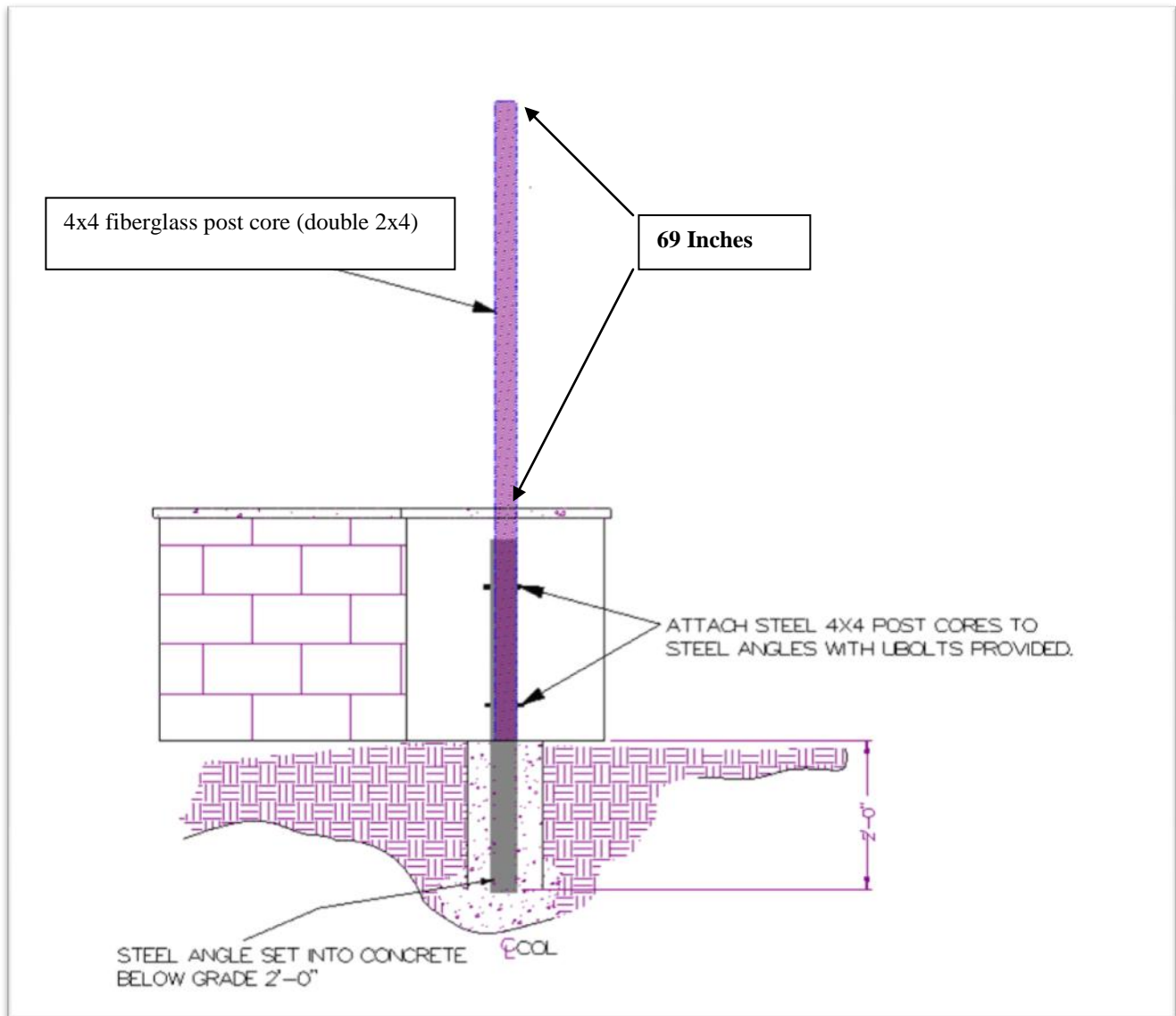
OUTDOOR KITCHEN PERGOLA INSTALLATION INSTRUCTIONS

FOUNDATION LAYOUT



OUTDOOR KITCHEN PERGOLA INSTALLATION INSTRUCTIONS

POSTCORE INSTALLATION



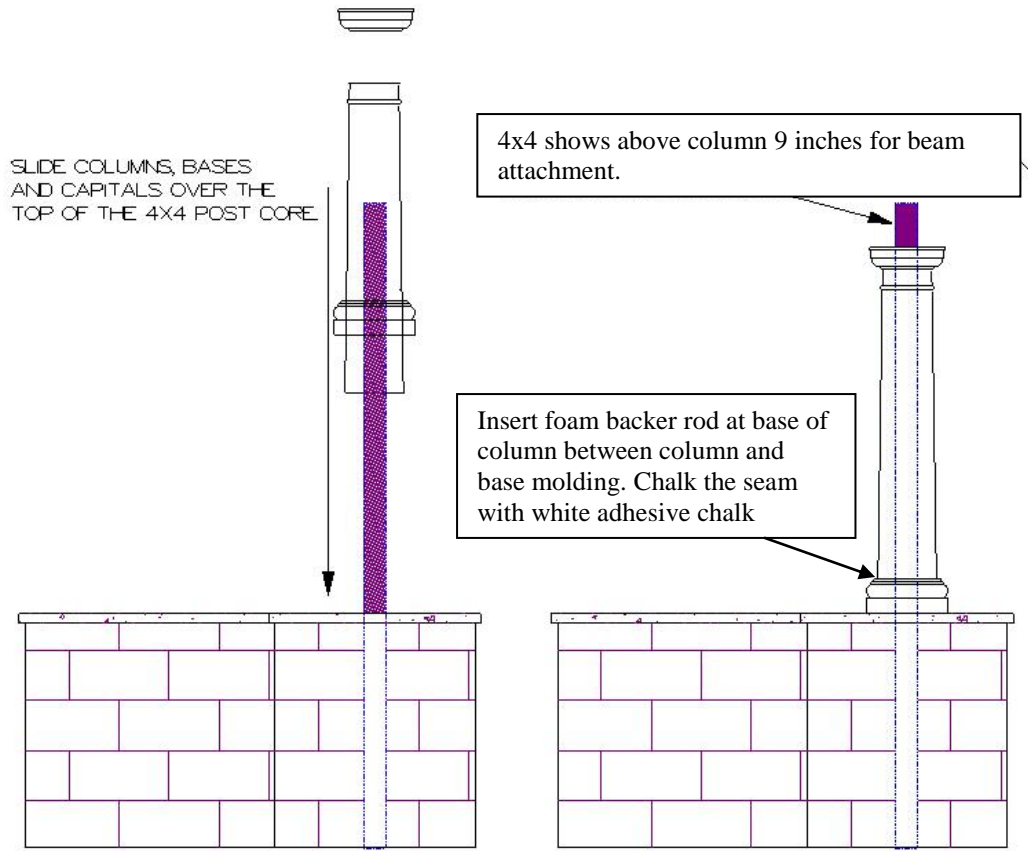
IMPORTANT!

CONFIRM THE COUNTERTOP FITS WITH THE POSTCORES
CONFIRM THAT THE POST CORE IS 69 INCHES ABOVE THE COUNERTOP

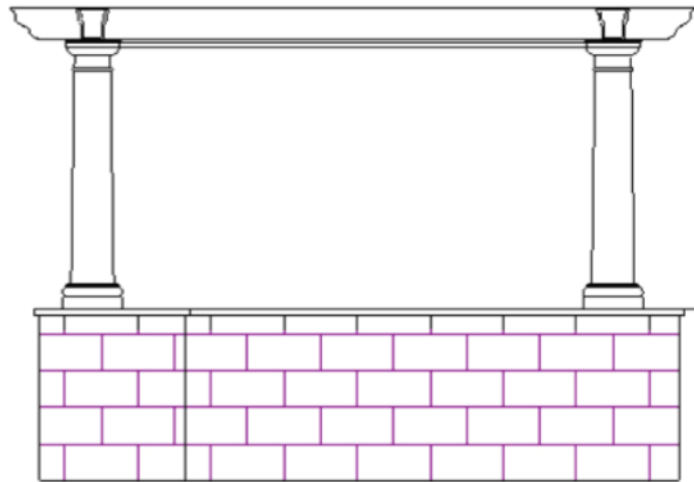
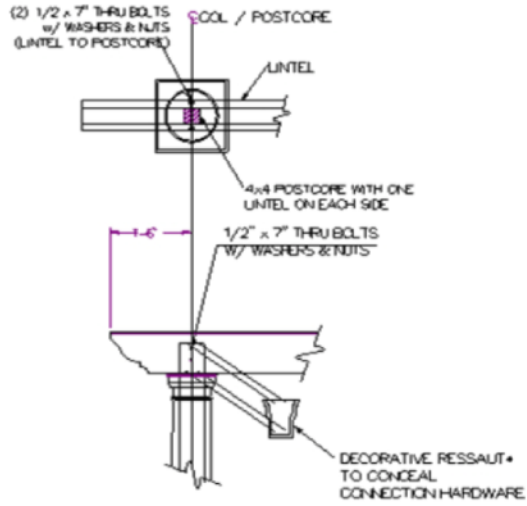
OUTDOOR KITCHEN PERGOLA

INSTALLATION INSTRUCTIONS

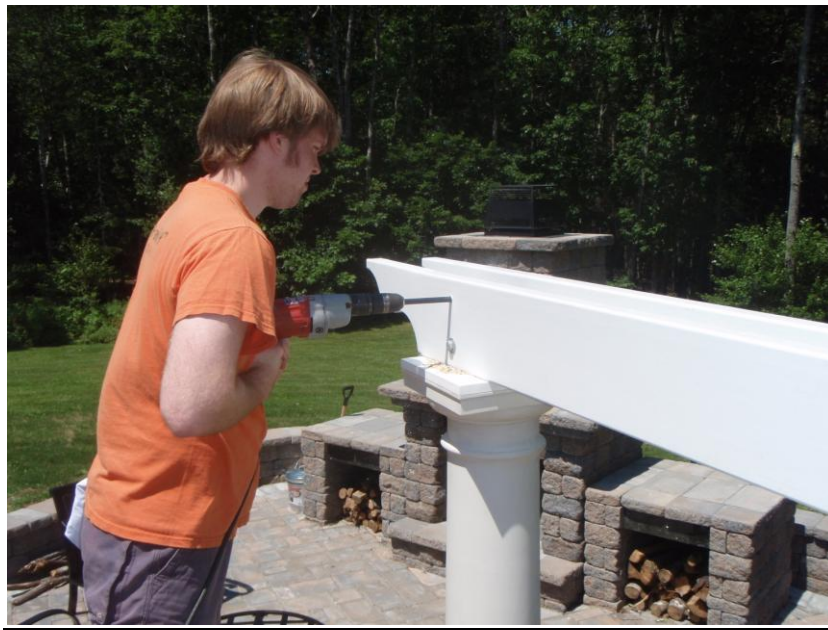
COLUMN INSTALLATION



OUTDOOR KITCHEN PERGOLA
INSTALLATION INSTRUCTIONS
LINTEL INSTALLATION



OUTDOOR KITCHEN PERGOLA
INSTALLATION INSTRUCTIONS
LINTEL INSTALLATION

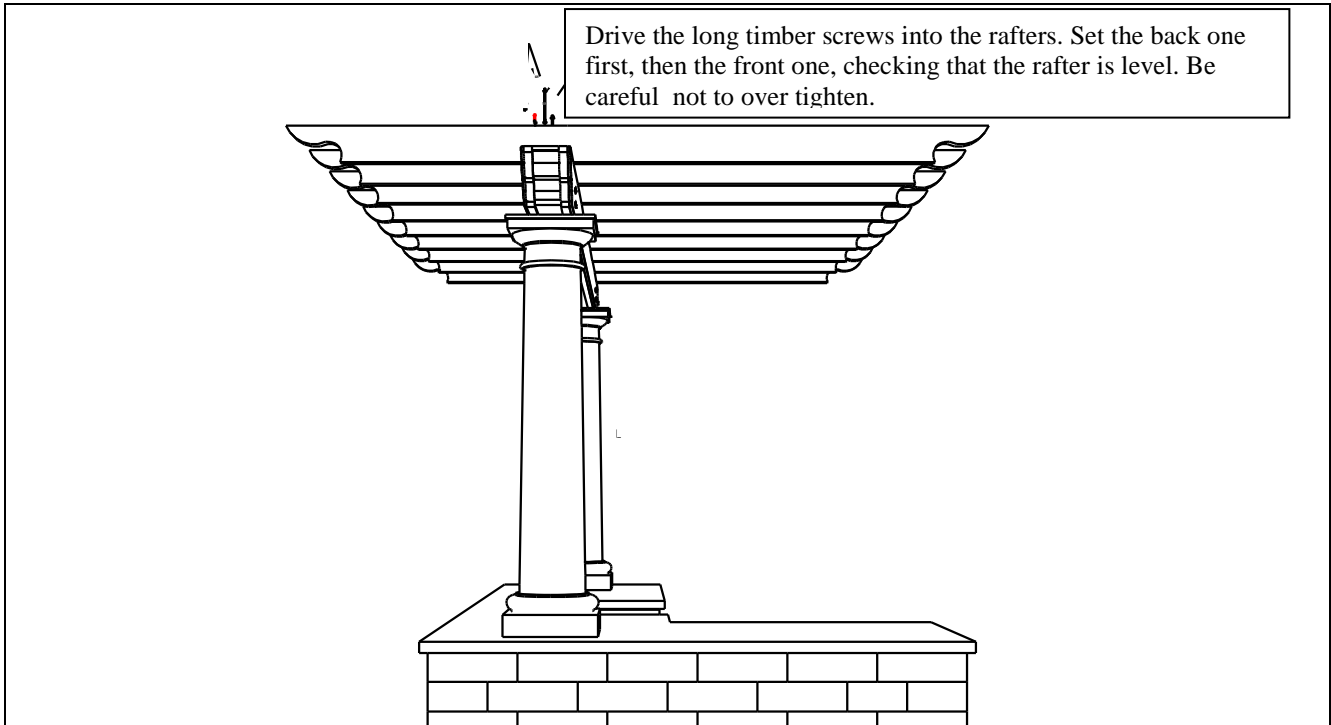


HOLD LINTELS IN PLACE AGAINST THE POST CORE WITH A CLAMP. PLACE A LEVEL ACROSS THE TOP OF BOTH LINTELS (PARALLEL AND PERPINDICULAR) TO INSURE THEY ARE LEVEL. DRILL THRU EACH LINTEL AND THE FIBERGLASS POST CORE IN A SINGLE PASS.

OUTDOOR KITCHEN PERGOLA

INSTALLATION INSTRUCTIONS

RAFTER INSTALLATION



Pre-drill and set the screws into the rafters on the ground first. Maximum cantilever is 3 feet from the back tip of the rafter to the back beam (lintel) and five feet from the back beam to the front tip of the rafter.

OUTDOOR KITCHEN PERGOLA INSTALLATION INSTRUCTIONS RAFTER INSTALLATION



Leave protective plastic on the rafters when installing to help keep rafters clean of handprints. Set back screw first, check level and set front screw. Be careful not to over tighten.



Set then and level the leftmost and rightmost rafters first. Then set the backmost and front most purlin. Double check that both the rafters and the purlins are level. Begin installing the remaining rafters and then install the remaining purlins.

If needed, the pergola can be touched up with white Sherwin Williams Duration paint (exterior satin).

OUTDOOR KITCHEN PERGOLA
INSTALLATION INSTRUCTIONS
RAFTER and PURLIN SPACING

Space the first rafter 10 and 1/2 inches in from the tip of the beam. Position each of the remaining rafters at 19 inches from the face of the previous rafter (19 inches equals the width of one rafter plus the distance between the rafters)

Fasten the purlins using the 5 inch self drilling screws. Install one screw in each purlin along each of the outside rafters. Use the remaining screws to fasten the middle of the purlins to one of the middle rafters. Space the first purlin 10 and 1/2 inches in from the tip of the rafter. Position each of the remaining purlins at 15 inches from the face of the previous purlin (15 inches equals the width of one purlin plus the distance between the purlins)