

CAMBRIDGE WALL PRODUCTS

Installation Instructions: Pre-Packaged Cambridge Ledgestone Wall Round Firepit Kit

Step 1. Mark Off Area

Find an area that is level and not too close to trees or structures. Place a stake in the middle of a 52-inch circle. Tie a rope on the stake and tie the other end 26 inches from the stake to a shovel. This will allow a circle to be cut in the topsoil. Excavate to a depth of 4 inches below undisturbed soil.

Step 2. Fill The Cavity

Fill the cavity with 3/4-inch quarry process stone and compact with hand or plate tamper, finish by leveling 1 inch before surface grade.

Step 3. Install Layers

Install layers as indicated below.

Note: Make each layer as level as possible.

Layers 1, 2, 3, & 4.

Install Ledgestone Wall Round Wallstones according to diagrams shown. Apply adhesive after every layer.

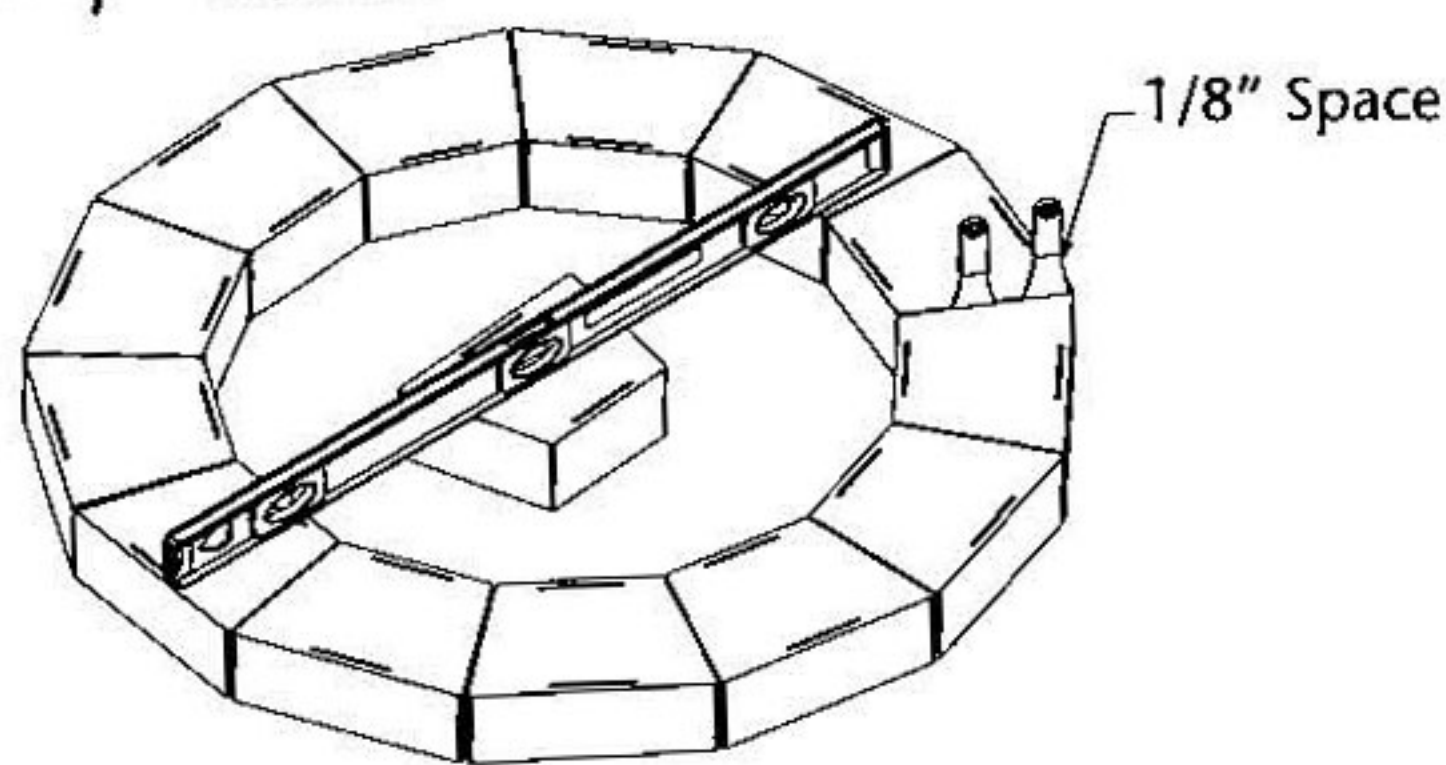


Figure 1.
Layer 1 / Wallstone placement.

Layer 1.

Level the first layer as shown. Place and level an Wallstone in the middle of the excavation and assemble 14 Ledgestone Round Wallstones in a circle getting the finished height from the level stone in the middle of the circle. See Figure 1. A 4-foot level should help you get all the wallstones at the right height. Use concrete sand to fine level any wallstones that are low and use a rubber mallet for wallstones that are too high. The fourteenth Ledgestone Round

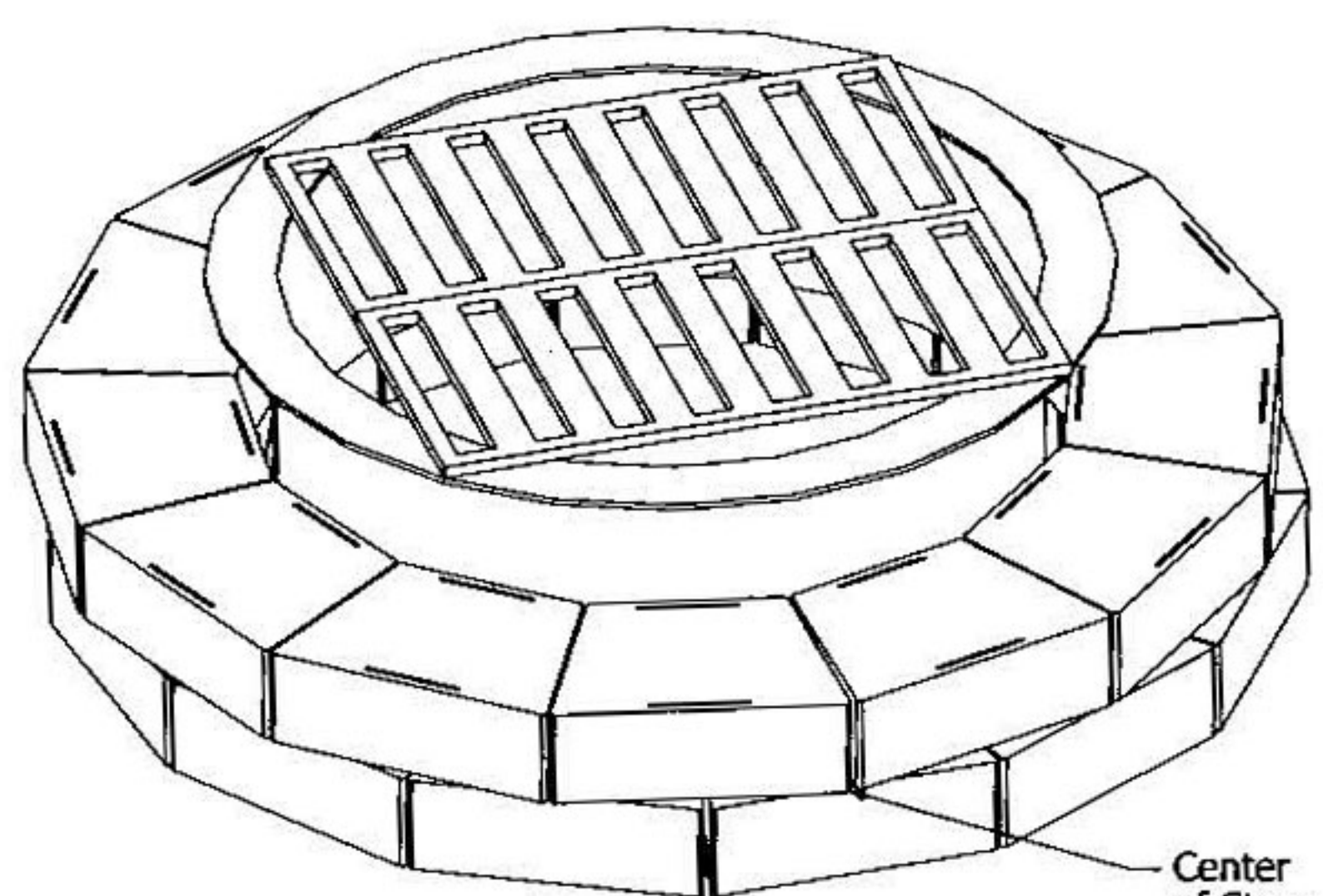


Figure 2.
Layer 2 / Wallstone placement.

Wallstone circle used in the 4 layers in this project will require an 1/8-inch space between each wallstone. This is to allow air for the fire as well as heat dispersion during cold periods.

Layer 2.

Use the fire ring as a template for each layer of stone. Fill the Ledgestone circle with 3/4-inch clean

stone in the bottom two layers.

Layer 3.

Place the third layer of Ledgestone Wall Round Wallstones aligning the vertical edges in the same position as the first layer.

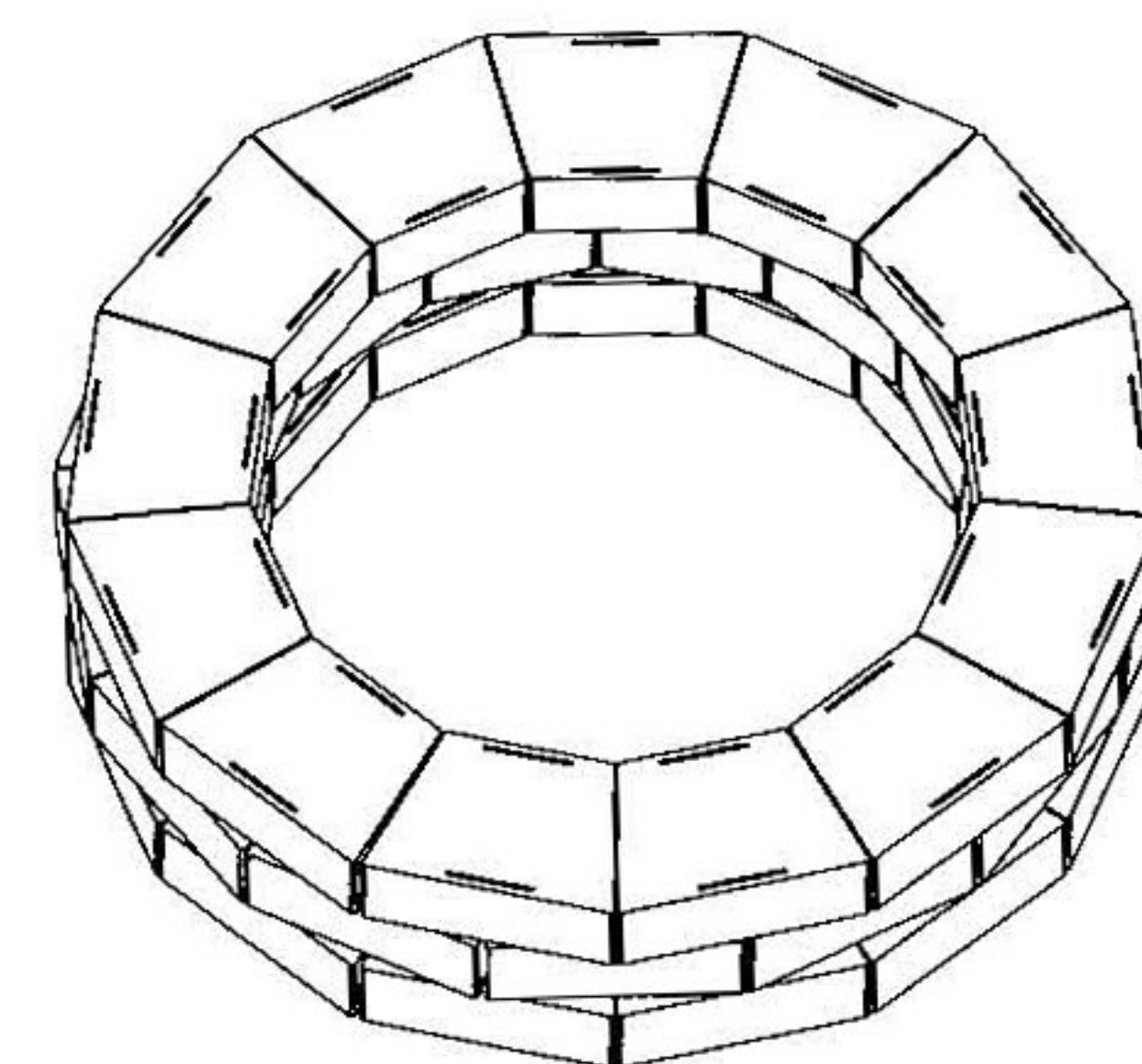


Figure 3.
Layer 3 / Wallstone placement.

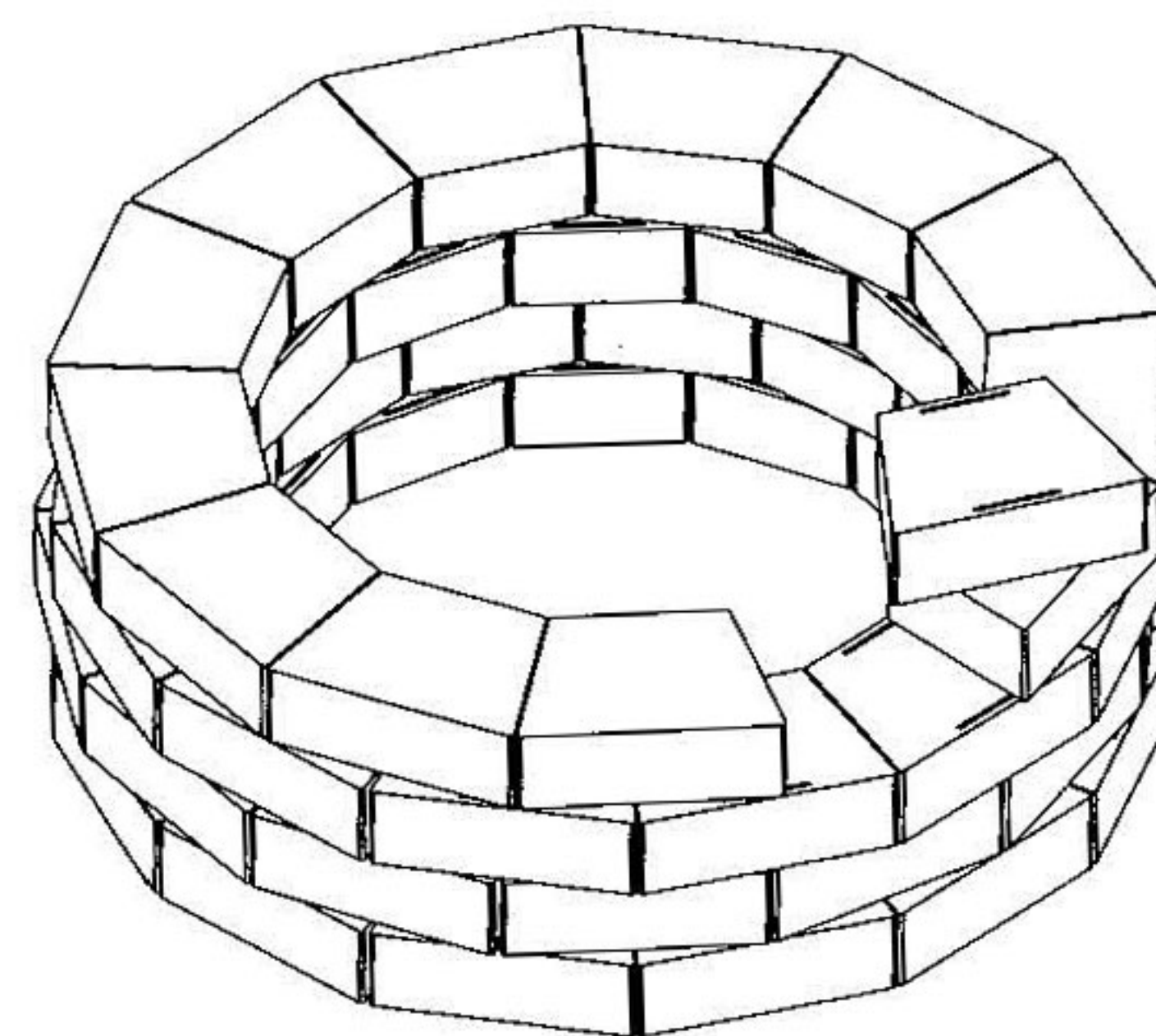


Figure 4.
Layer 4 / Cap layer

Layer 4. Cap Layer

Place the final layer in the same position as the second layer with the exception that each wallstone will be turned over so that the offset marks are on the bottom of the wallstone. This will provide a smooth

"Cap" layer.

Step 4. Installing The Fire Ring Insert

Insert the fire ring assembly over the final layer. Once the fire pit insert is in place, add approximately 50 Lbs. of 3/8-inch pea gravel to the inside of the fire pit cavity until it reaches a depth of 7 inches from the top edge of the insert.

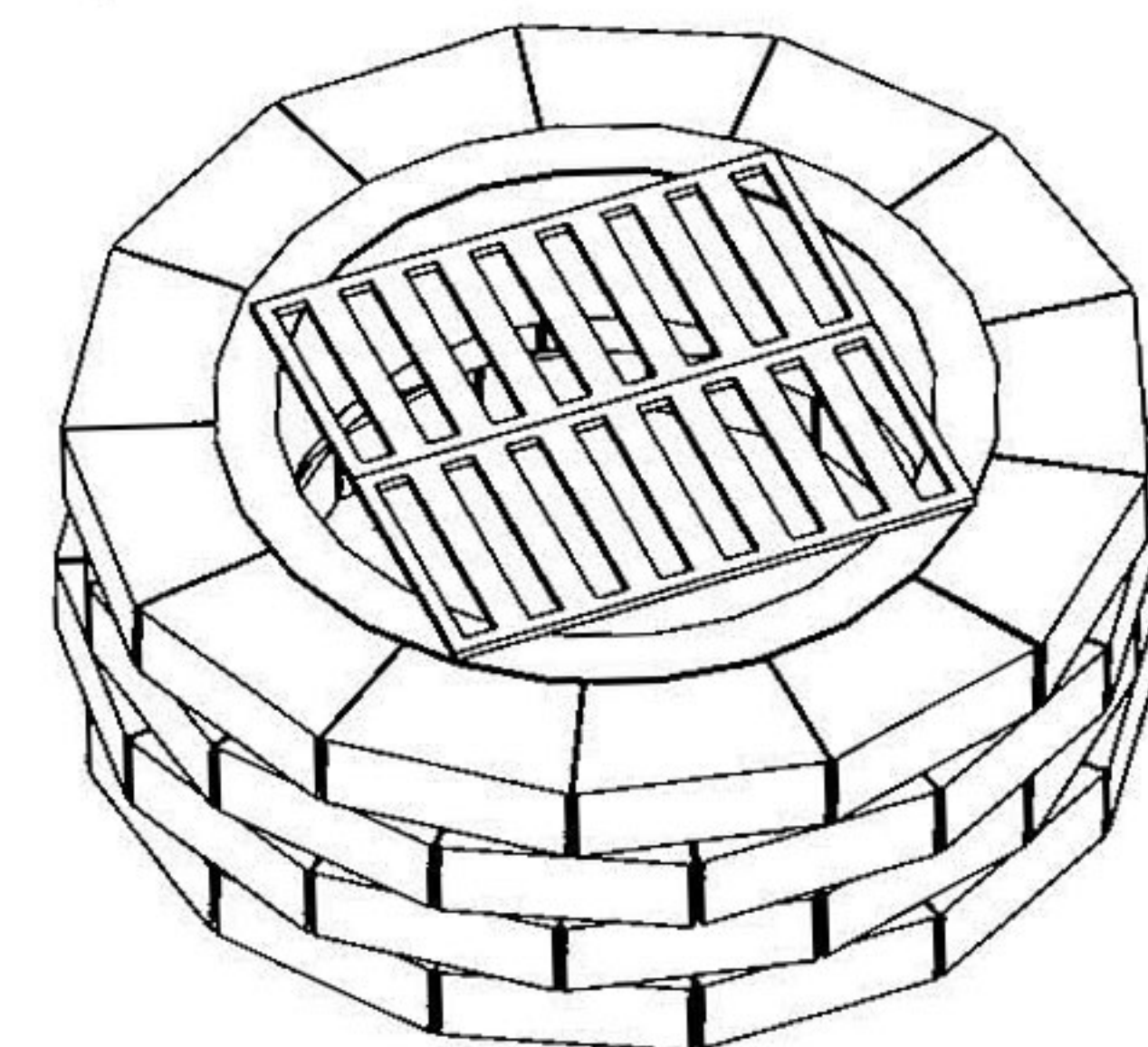
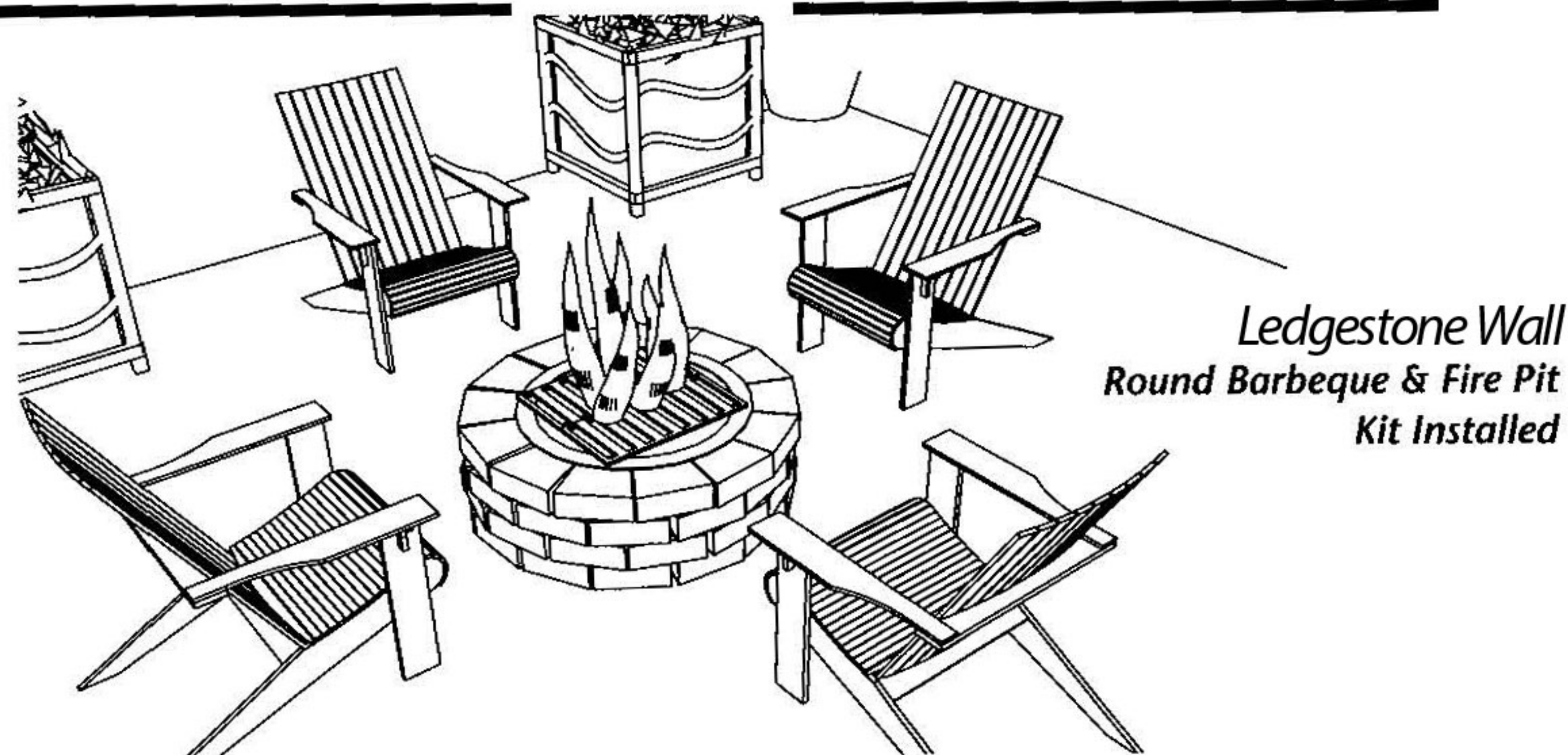


Figure 5. Fire ring assembly.



Ledgestone Wall
Round Barbeque & Fire Pit
Kit Installed

Complete with 52 pcs. of Cambridge Ledgestone Wall Round Wallstones, one 32 in. diameter x 8 in. deep metal insert, one grill with double grates and installation instructions.

Size In Inches:	Total Weight:
32 (Inside Dimension)	1,459 Lbs.
48 (Outside Dimension)	Options:
16 (Height)	Barbeque & Fire Screen / Cover

**Inquire about granite
& cast stone rings**

